

Be safe, be profitable be SunSecured



Testimonials

SECURITY

Had it not been for this facility we would have needed to leave our valuables in the room safe and have the inconvenience of returning to our room every time.

-Robin Hollingbury

ADDED VALUE

I was very pleased about the SunLocker and I guess it made me stay at the pool area longer.

-Martin Andersson

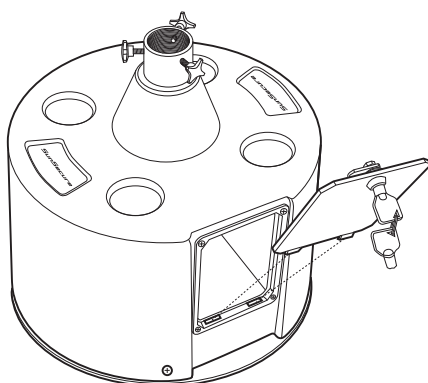
CONVENIENCE

Me and my friend were very happy that the hotel had these on the beach. We were able to snorkle non-stop

-Albert Ottosson

Pool and Beach SunLocker

What does the hotel or resort gain from such a product? Clearly a happy and contented guest or customer and THAT is beyond price. Happy customers are repeat customers but also the BEST form of advertising available. Equally important is the fast return on the initial investment, certainly within a 2 month period all capital expenditure has been recovered and the profits start rolling in. Maintenance costs are zero and the profit from just 50 units can reach in the region of 100,000 Euros a year in additional revenue. (Based on just 60% usage)



- SunSecure is not simply a safe; it is also a umbrella stand and a drink table.
- GONE is the need to leave someone behind to watch over your belongings.

If you look at the net savings on the equipment made obsolete with SunSecure it is likely the initial outlay can be reduced by as much as 50%. It makes good economic sense to buy SunSecure for your customers' welfare and your profits. A win win situation.

For the guest/customer

- Peace of mind, no stress or worry
- Minimal cost
- Ability to relax and enjoy the facilities
- Convenient place to keep drinks and snacks

For the Hotel

- A great profit generator
- Savings on capital expenditure for obsolete equipment
- Attractive and practical advertising medium
- Contented guests and customers
- No embarrassing intrusions from the Police resultant from pool or beach thefts



Pool and Beach SunLocker™

Included Functions

- Umbrella base
- Drink table with 4 cup holders
- 1 or 2 Personal safety deposit boxes

Technical Specifications

- Dimensions: 450mm x 440mm (H x W)
- Weight empty: 8 kg
- Weight: 43 kg (approx)
- Inner pipe: 15 – 60 mm (adjustable)

Material

The base is manufactured in high strength ABS/PMMA which has excellent outdoor properties. It's a 3-layer material that is solid colored with a surface that withstand scratching and UV-light.

The safe compartment is made out of (Polycarbonate plastic) same that is used to make Police Shields and Air Plane Windows.

The pipe for the umbrella is manufactured of high quality Swedish steel that has an electroplated coating of zinc-iron with yellow chromatin for protection against corrosion.

To get a weight that can keep the umbrella in a safe position we recommend filling the special removable plastic mold form with cement or with sand the total weight will then exceed 40 kg.

The detachable locking mechanism is water and sand resistant and is delivered with two keys and a rubber band (for fist or ankle wearing). Color and material: Brushed aluminum.

Standard unit color is Gray metallic, all colors are available at extra charge.

The unit can be branded with labels or logo of company name and other advertisement.



SunSecure

Copyright © SunSecure Sweden AB. All rights reserved.